



## SIL-3 16-Channel Analog Output Card

### 3121 Current/ 3122 Voltage

#### PRODUCT HIGHLIGHTS

- SIL-3 Approved
- Safety and Critical Control Applications
- Current Output Option -  $\pm 20$  mA, 0-20 mA, 4-20 mA
- Voltage Output Option -  $\pm 10$ V, 0-10V
- Configurable Redundancy - Single, Dual, or Triple
- 16-bit Digital to Analog Conversion
- Channel Readback Validation

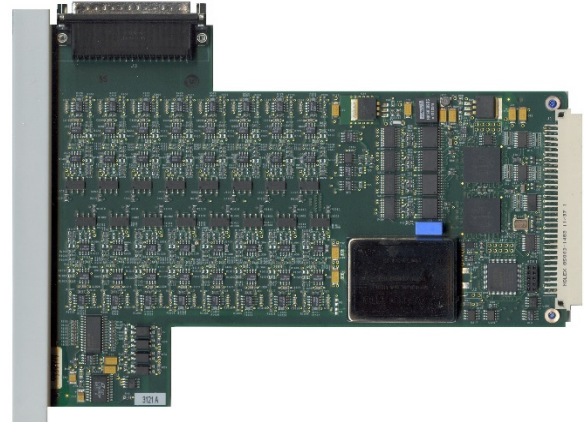
#### Product Overview

The 16-Channel Analog Output card has been designed to provide high resolution, precision analog output signals. The 16-Channel Analog Output card can be installed into any 3000TAS family chassis to control actuators, valves, solenoids, or other suitable analog devices.

Built-in advanced diagnostics test each output signal to verify proper operation. Readback of outputs verifies output levels. To test for stuck output values, the card will periodically change the commanded value of the analog output by a small amount ( $< 1\%$ ) for one scan cycle. The output is verified to have changed via the analog channel readback circuitry. Additional diagnostics are performed extensively on all backplane communications to ensure the validity of commands, slot addressing, card ID and data. If an error is detected, an error bit is set and the outputs are not transferred. Watchdog timers allow the output to de-energize to a zero state in case of loss of communication to the card.

Configurable redundancy reduces costs as the redundant outputs are configured to your availability, integrity and system cost requirements. The flexible architecture allows redundant output cards to be in the same chassis or in different chassis.

Redundant current outputs use a current sharing scheme. Each card that is active drives current into the load. In a triple redundant configuration Card A drives  $1/3$  of the output current while Card B and C each drive  $1/3$  of the output current.



3121/3122 16-Channel Analog Output Card

In a dual redundant configuration Card A drives  $1/2$  of the output current while Card B drives  $1/2$  of the output current. This approach guarantees that you will always know the status and functionality of the redundant cards before a switchover takes place.

Dual or triple redundant voltage output cards use a hot standby scheme where two or three voltage cards are connected in parallel. Only one card drives the output. The one of other cards will automatically drive the load if a failure occurs. This increases availability.

#### **RTP is the Best Technology for Your Investment,**

Here's why:

The 3000 TAS is a multi-processor architecture that delivers exceptional Performance and Comprehensive Diagnostics. The results speak for themselves: A reaction time of 12 msec, true 1 msec SOE (Analog and Digital), an MBTF of greater than 50000 years an MTTFS of greater than 60000 years, and a PFDavg of  $5 \times 10^{-5}$ . **Compare these numbers to any other system.**

Built-in proof test diagnostics means it will never be necessary to shut down at the proof test interval. Unlimited online downloads of logic and configuration changes do not require a periodic shut down like other systems. **Compare this functionality to any other system.**

NetSuite Software: One-time price includes unlimited use of Logic Development, Alarm Manager, Data Archive and Historian and HMI without hardware or software keys. **Compare this functionality and price to all other systems.**

Finally, a Safety Instrumented System (SIS) should always take the process it protects to a safe state when it is required to do so, and it should never interfere with the operation of the process at the time. **The 3000 TAS does this better than any other system.**

In a redundant configuration, you may degrade to a single output card and maintain the SIL 3 rating indefinitely.

Redundant configurations provide ease of replacement. There is never a need to stop the process. Card replacement can be completed using NetArrays. Simply disable the card, remove the cable and card, install the replacement card, attach the cable, and re-enabling the card in NetArrays. There is no field calibration required.

Enhancements to the card PLD can be accomplished quickly and easily in the field with a simple file download and restart of the card.

If adding a new channel or new card, make the configuration change in NetArrays and download the new file online. This allows existing logic and I/O to continue processing undisturbed while the new logic and I/O is initialized.

## Specifications

### 3121 – 16 Channel Current Analog Output Card

|   |   |
|---|---|
| Safety Integrity Level  | SIL 3   |
| Number of Channels  | 16 channels   |
| Output Signals  | Sourcing: +/-20 mA, 4 – 20 mA, or 0 – 20 mA   |
| Full Scale Value  | 20 mA   |
| Analog output error (maximum error at 25 °C)                  | +/-0.160% of full scale value (+/-0.032mA)  |
| Analog output error (temperature coefficient)                 | +/-0.012% of full scale value/°C (+/-0.0024mA/°C)   |
| Maximum error over temperature range                          | +/-0.580% of full scale value (+/-0.116mA)  |
| Digital resolution  | 16 bits   |
| Settling time to within maximum error for full-range change   | Less than 190 uS  |
| Slew Rate   | 0.2 mA/μsec (typical);  |
| Type of protection  | Digital isolators (magnetic)  |
| Isolation   | Channel to RTP ground and external power supply 500VDC max<br>No channel to channel isolation |
| Backplane Power   | 5VDC @ 500 mA<br>24VDC @ 675 mA   |
| Voltage Compliance Range For Current Output                   | +11.6 Volts   |
| Common points between channels                                | All channels share an isolated common ground.   |
| Load resistance range   | 100 Ohm minimum, 580 Ohms maximum   |
| Crosstalk between channels at d.c., a.c. 50 Hz and a.c. 60 Hz | d.c. -71 dB<br>a.c. 50 Hz -71 dB<br>a.c. 60 Hz -71 dB   |
| Non-linearity   | +/-0.160% of full scale value (+/-0.032mA)  |
| Output Protection   | Outputs may be shorted to 0V indefinitely.  |
| Hardware Watchdog timer                                       | 0.31 to 0.650 seconds   |
| Programmable Watchdog timer                                   | 150 msec  |

### 3122 – 16 Channel Voltage Analog Output Card

|   |   |
|---|---|
| Safety Integrity Level                                      | SIL 3   |
| Number of Channels  | 16 channels   |
| Output Signals  | 0-10VDC or +/-10VDC   |
| Full Scale Value  | 10 V  |
| Output Impedance  | < 1.15 Ohms (output on)<br>> 10 Mega Ohms (output off)              |
| Analog output error (maximum error at 25 °C)                | +/-0.065% of full scale value (+/-6.5 mV)                           |
| Analog output error (temperature coefficient)               | +/-0.003% of full scale value/°C (+/-0.3 mV/°C)                     |
| Maximum error (0 °C to 55 °C)                               | +/-0.170% of full scale value (+/-17 mV)                            |
| Digital resolution  | 16 bits   |
| Settling time to within maximum error for full-range change | Less than 130 uS  |
| Slew Rate   | 0.1 V/μsec (typical, resistive load);                               |
| Type of protection  | Digital isolators (magnetic)  |
| Isolation   | Channel to RTP ground 500VDC max<br>No channel to channel isolation |
| Backplane Power   | 5VDC @ 500 mA<br>24VDC @ 500 mA                                     |

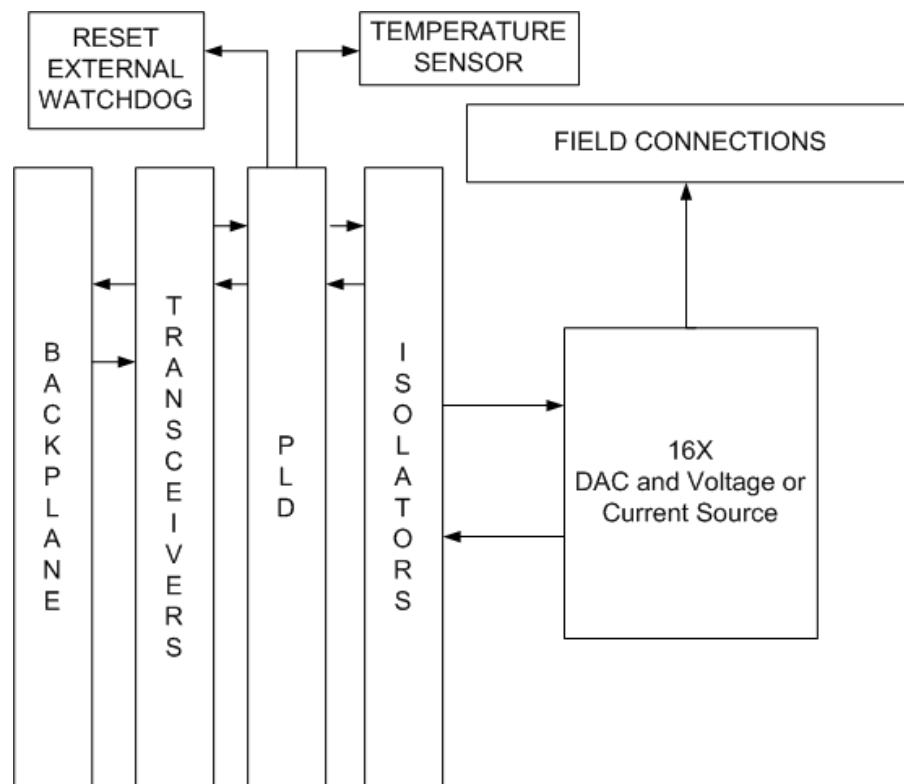
|   |   |
|---|---|
| Common points between channels                                | All channels share an isolated common ground.         |
| Load resistance range   | 2K Ohms minimum reference to Signal Return            |
| Crosstalk between channels at d.c., a.c. 50 Hz and a.c. 60 Hz | d.c. -72 dB<br>a.c. 50 Hz -72 dB<br>a.c. 60 Hz -72 dB |
| Non-linearity   | +/-0.065% of full scale value (+/-6.5 mV)             |
| Output Protection   | Outputs may be shorted to 0V indefinitely             |
| Hardware Watchdog timer                                       | 0.31 to 0.65 seconds                                  |
| Programmable Watchdog timer                                   | 150 msec  |

## Environmental Specification

|                             |                            |
|-----------------------------|----------------------------|
| Operating Temperature Range | -20°C to +60°C             |
| Storage Temperature Range   | -25°C to +85°C             |
| Relative Humidity Range     | 10% to 95%, non-condensing |

## Termination Module

|             |  |
|-------------|--|
| 3099/22-000 | Triple Redundant Termination Module – 16 Ch AO |
| 3099/22-100 | Single Termination Module – 16 Ch AO           |



**Trademark acknowledgments:** RTP is a registered trademark of RTP Corp. All other product or service names mentioned herein are trademarks of their respective owners. Specifications and information are subject to change without notice. Contact RTP Corp. office for the latest specifications.

All information, data graphics and statements in this document are proprietary intellectual property of RTP Corp. unless otherwise indicated and are to be considered RTP Corp. confidential. This intellectual property is made available solely for the direct use of the potential or licensed RTP Corp. customers in their application of RTP Corp. products, and any other use or distribution is expressly prohibited. If you have received this publication in error, immediately delete, discard or return to RTP Corp.